



# Water dredge system

Efficient and versatile water dredge, easy to transport, deploy and operate. Provides maximum performance out of smallest possible package.

All model derives productivity from light weight construction and no thrust force. This enables diver to easily shift and control dredge over dredged area, improving excavation.

ROV mounted models can be dynamically balanced to eliminate need to counter dredge trust thus more power can be diverted to dredge to increase dredge capacity.

Excellent power transformation rate achieved by

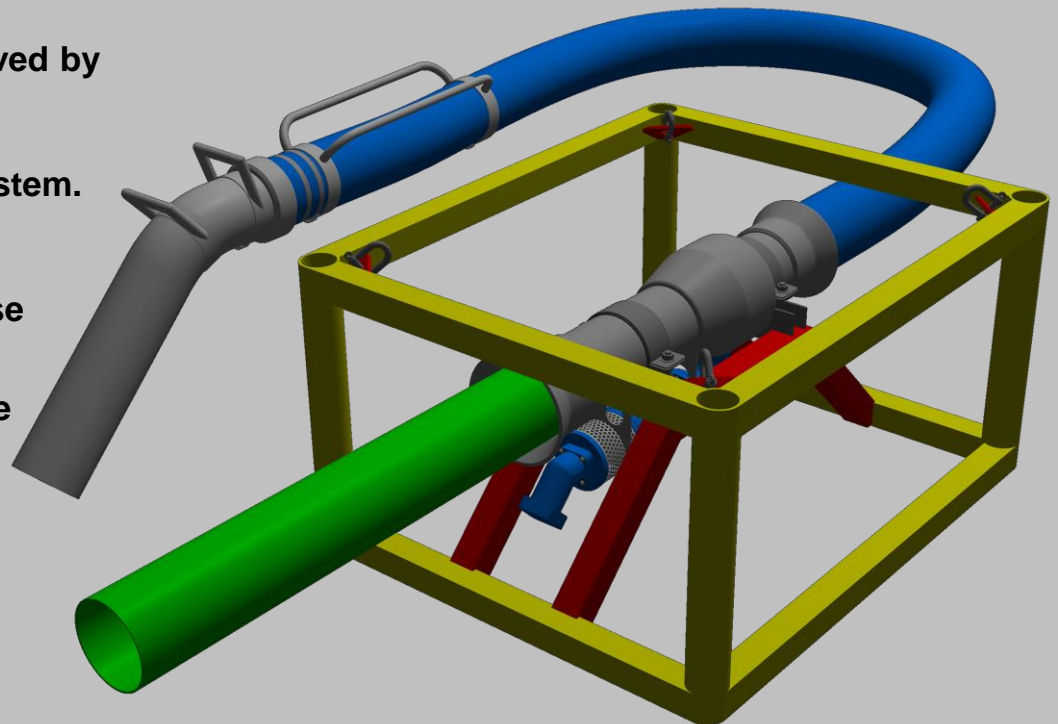
- highly efficient water pump
- precisely machined water nozzle
- minimized power losses throughout system.

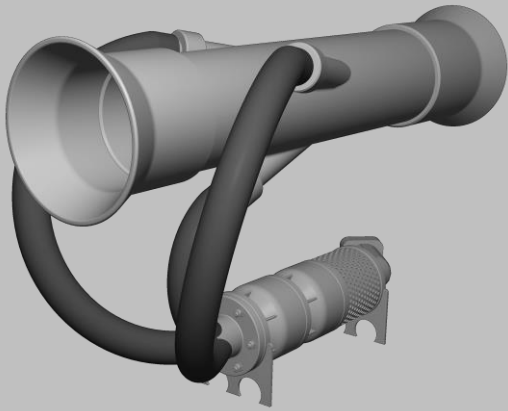
#### Accessories:

Active and passive jetting ad-on to increase productivity in hard sediments.

Diver operated, water pump throttle remote control, to reduce downtime and surface assistance

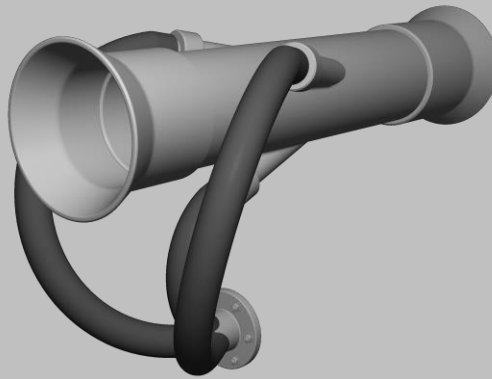
Adjustable handles for easier dredge manipulation





### **WDS c1**

Onboard water pump  
Diver operated



### **WDS c2**

Water supplied from the surface  
mounted water pump  
Diver operated

## **Water dredge system size**

**125 mm      5"**

**150 mm      6"**

**200 mm      8"**

**250 mm      10"**

**Other size at request**

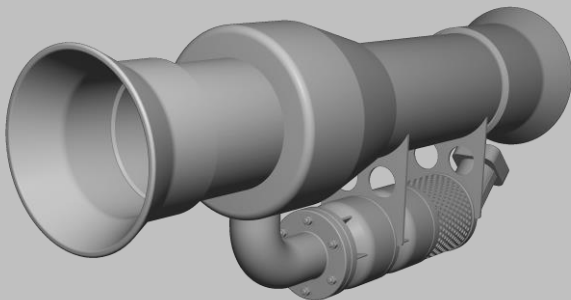
**Max solid size all dredges  
12 mm / 1/2" less  
than nominal diameter**

## **WDS water dredges**

Made in large number of sizes and capacities (from 5 to 80 m<sup>3</sup> +/-hr)

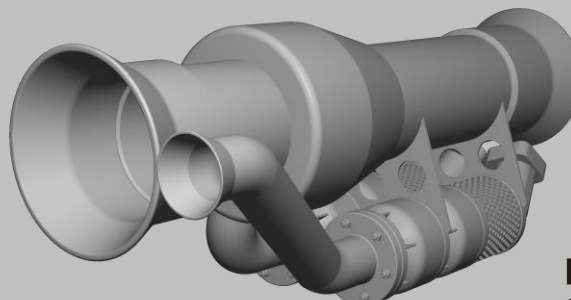
Onboard hydraulic or electric driven water pump or surface mounted water pump

Frame mounted - Diver operated or ROV mounted and operated



### **WDS 1**

Single water pump  
Diver and ROV operated



### **WDS 2**

Additional water pump for waterjetting  
Diver and ROV operated



[more\\_ing@yahoo.com](mailto:more_ing@yahoo.com)

<https://www.more-ing.hr/>



## Application

Dredging – diver or ROV operated.

Trenching, leveling, cleaning in: clay, mud, silt, sand, stones, mixed sediments...

## Features

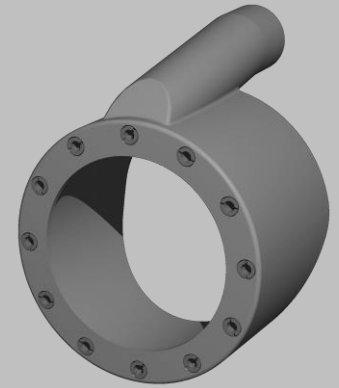
Highly efficient dredge system, easy to transport, deploy and operate.

Low mass, adjustable handles, and no thrust force decreases diver fatigue and speeds up work.

Water pump throttle remotely operated by diver, reduced downtime and surface assistance.

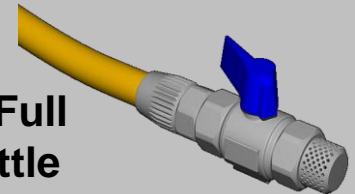
Add-on fluidizes hard sediment and increase excavation. Adaptable for different work conditions and needs.

Lower initial and operational costs. Small deck footprint.

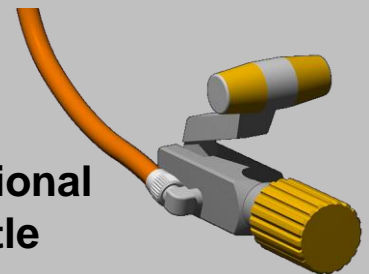


**Waterjet add-on**

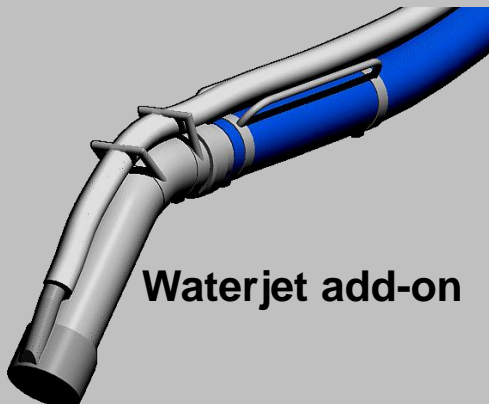
**Remote throttle control**



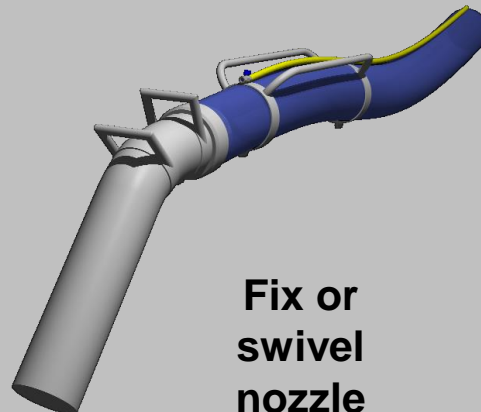
**Idle/Full throttle**



**Proportional throttle**



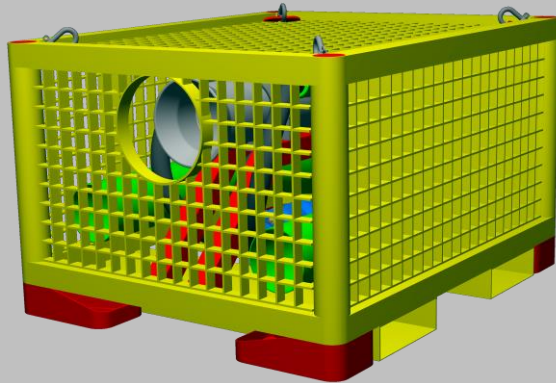
**Waterjet add-on**



**Fix or swivel nozzle**

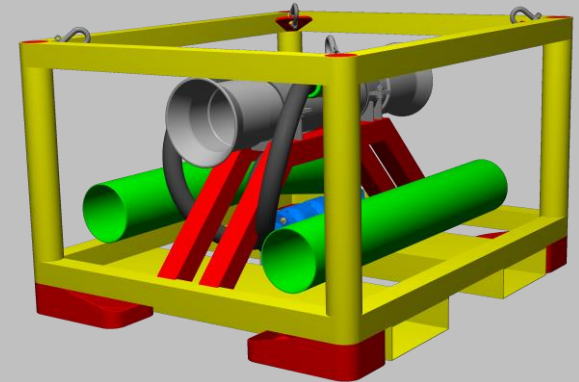


# Frame



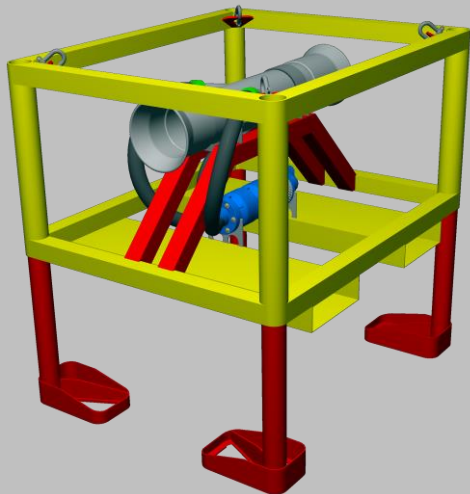
**Optional:**  
Protective grate  
Extendable legs  
Forklift points

Dredge extension and intake nozzle are stored inside frame to simplify transport and storage



Frame is suitable for transport, storage and deployment.  
Fully customizable.

Dimensions:  
1200x800x700 mm (Euro pallet standard dimensions)  
*or custom dimensions*

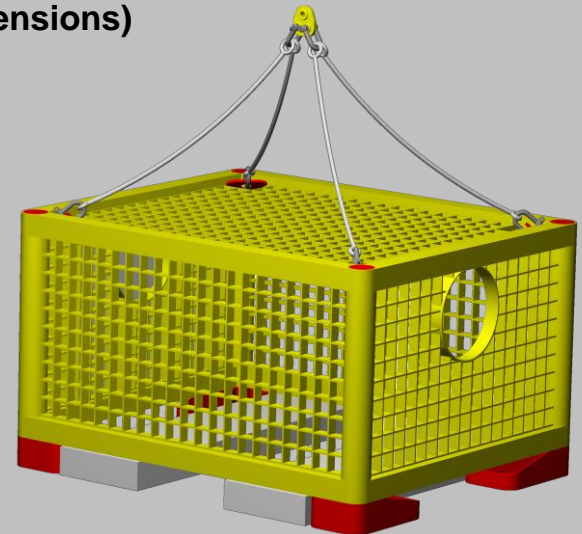


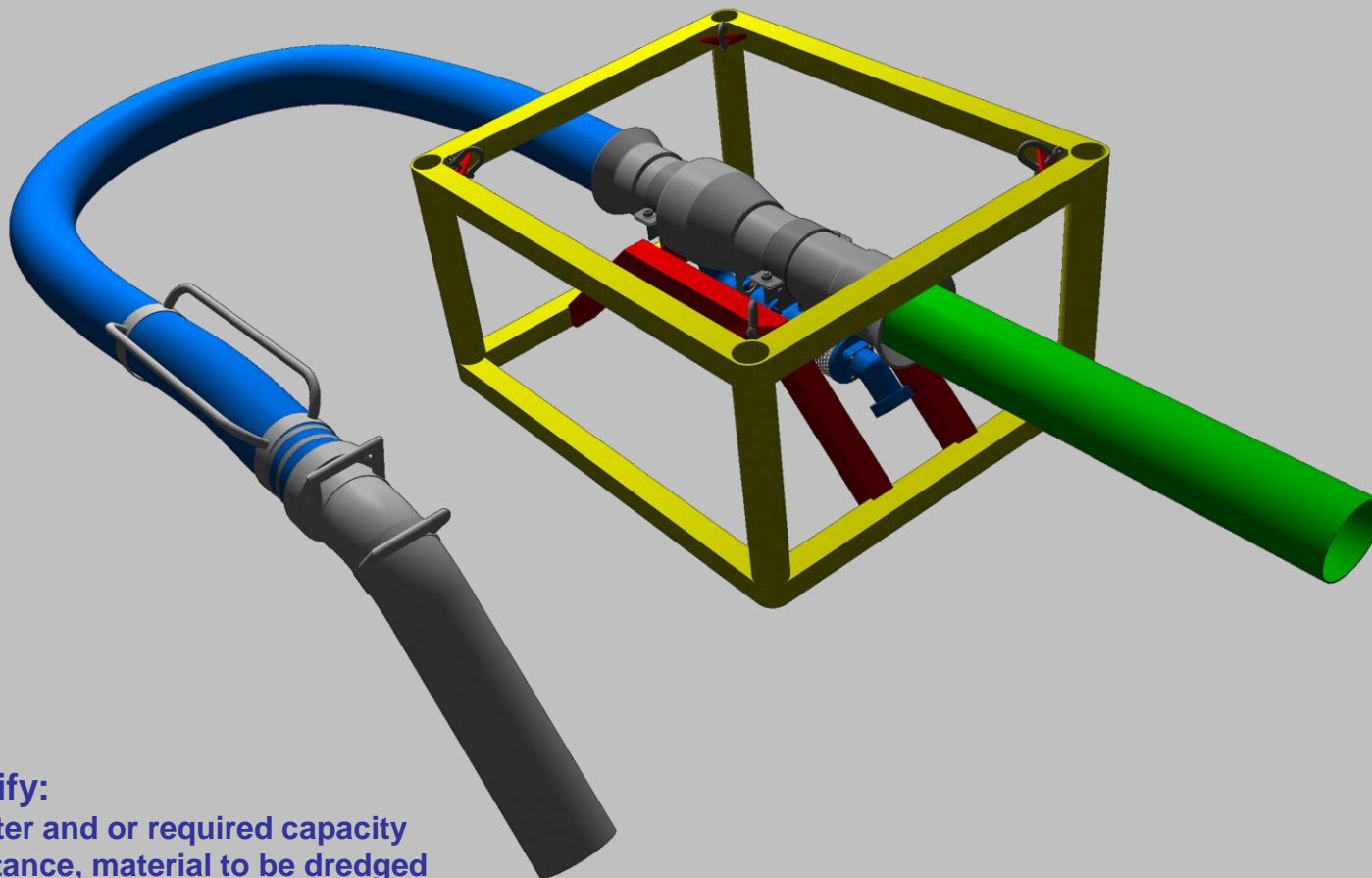
Extendable legs increases discharge distance and height  
enables leveled and stable position at uneven seafloor

## Options:

Frame material:  
• Stainless steel  
• Carbon steel

Grate material:  
• Stainless steel  
• Carbon steel  
• Plastic





**Please specify:**

Dredge diameter and or required capacity

Discharge distance, material to be dredged

Operated by: ROV/diver

Mounted; frame / ROV / both

Pump type: hydraulic, electric, onboard, surface mounted

Options!:

Protective grate, Extendable legs, Forklift points

Frame material: Stainless steel, Carbon steel

Grate material: Stainless steel, Carbon steel, Plastic

Frame dimensions: standard, custom

**more inzenjering**



+ 385 95 871 0200

[more\\_ing@yahoo.com](mailto:more_ing@yahoo.com)

<https://www.more-ing.hr/>