

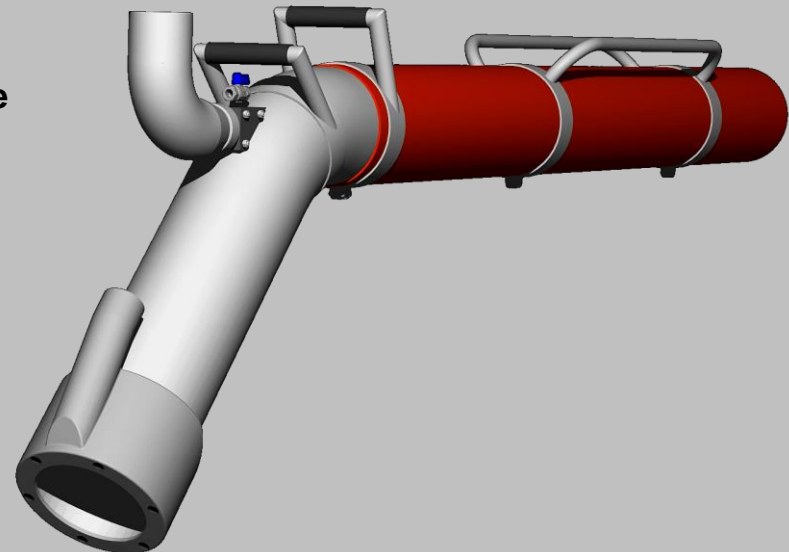


Efficient and versatile diver water dredge, easy to transport, deploy and operate. Provides maximum performance out of smallest possible package.

Hand held model derives productivity from light weight construction and low thrust force. This enables diver to easily shift and control dredge over dredged area, improving excavation.

All models have:

- Active and passive jetting ad-on to increase productivity in hard sediments.
- Diver operated, water pump throttle remote control, to reduce downtime and surface assistance
- Adjustable handles for easier dredge manipulation
- Excellent power transformation rate achieved by
  - highly efficient water pump
  - precisely designed and machined water nozzle
  - minimized power losses throughout system.



# more inzenjering



## Introduction

### Full plastic body

-Light weight. Durability is traded of for low mass and increased productivity.

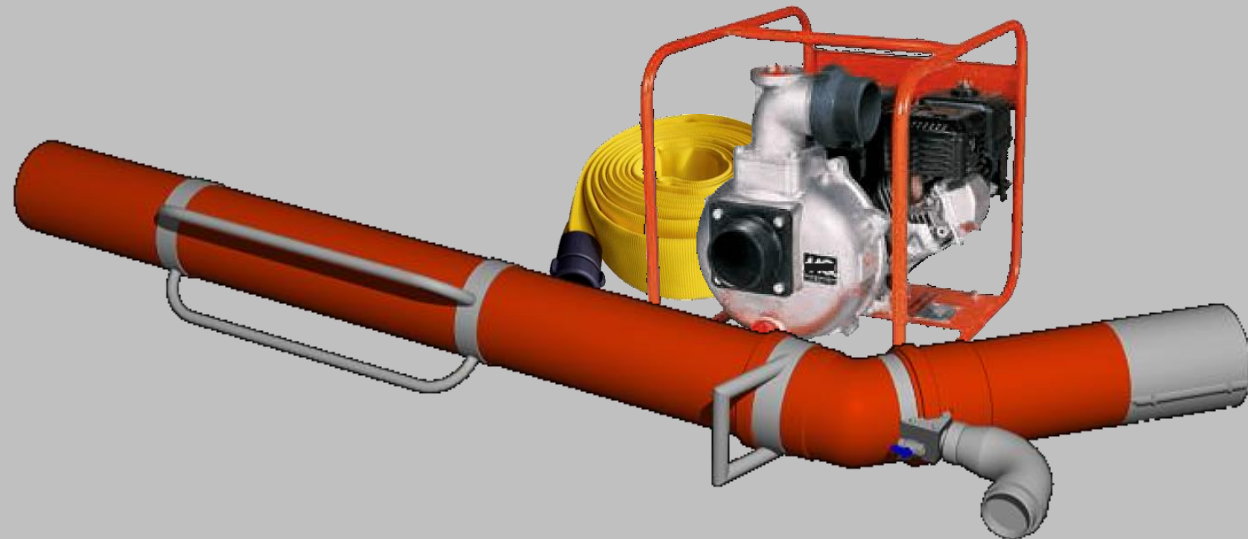
-Body is made of plastic pipes, easily replaceable and available in stores.

*Plastic parts durability is 300+ hr. of excavation in sharp crushed tones, 1200+ hr. in clay, mud, gravel...*

### Stainless steel / plastic body

- Medium weight model with stainless steel intake and elbow, plastic discharge pipe.

*Compromise between light weight model operational ease, and durability of full metal dredge.*



## Application

Dredging – diver operated.

Trenching, leveling, cleaning in: clay, mud, silt, sand, stones, mixed sediments...

## Features

Highly efficient light weight dredge system, easy to transport, deploy and operate.

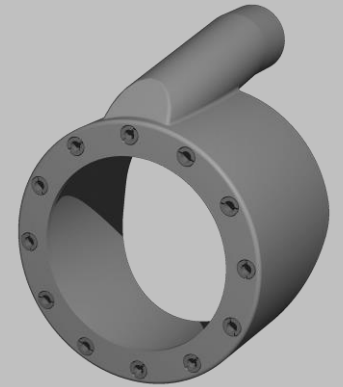
Low mass, adjustable handles, swivel interchangeable elbow and acceptable thrust force decreases diver fatigue and speeds up work.

Water pump throttle remotely operated by diver, reduced downtime and surface assistance.

Add-on fluidizes hard sediment and increase excavation. Interchangeable nozzles for best performance with different water pumps.

Adaptable for different work conditions and needs.

Lower initial and operational costs. Small deck footprint.



Waterjet add-on

Adjustable handles

water pump throttle remote control

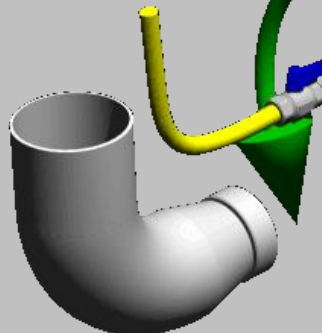
65% + less mass  
85% + less weight in water compared with all stainless steel counterpart

Interchangeable nozzle to match different water pumps

## Elbow

Interchangeable 90° - 180°

Swivel mounted 280°



## Construction

Stainless steel / plastic

corrosion resistant / light weight

<b>add-on</b>	<b>excavation in</b>
<b>water jet</b>	<b>Clay, compacted sand...</b>
<b>passive jet</b>	<b>Silt, mud, sand</b>
<b>Basic config.</b>	<b>stone &amp; general purpose</b>

**Water jet**

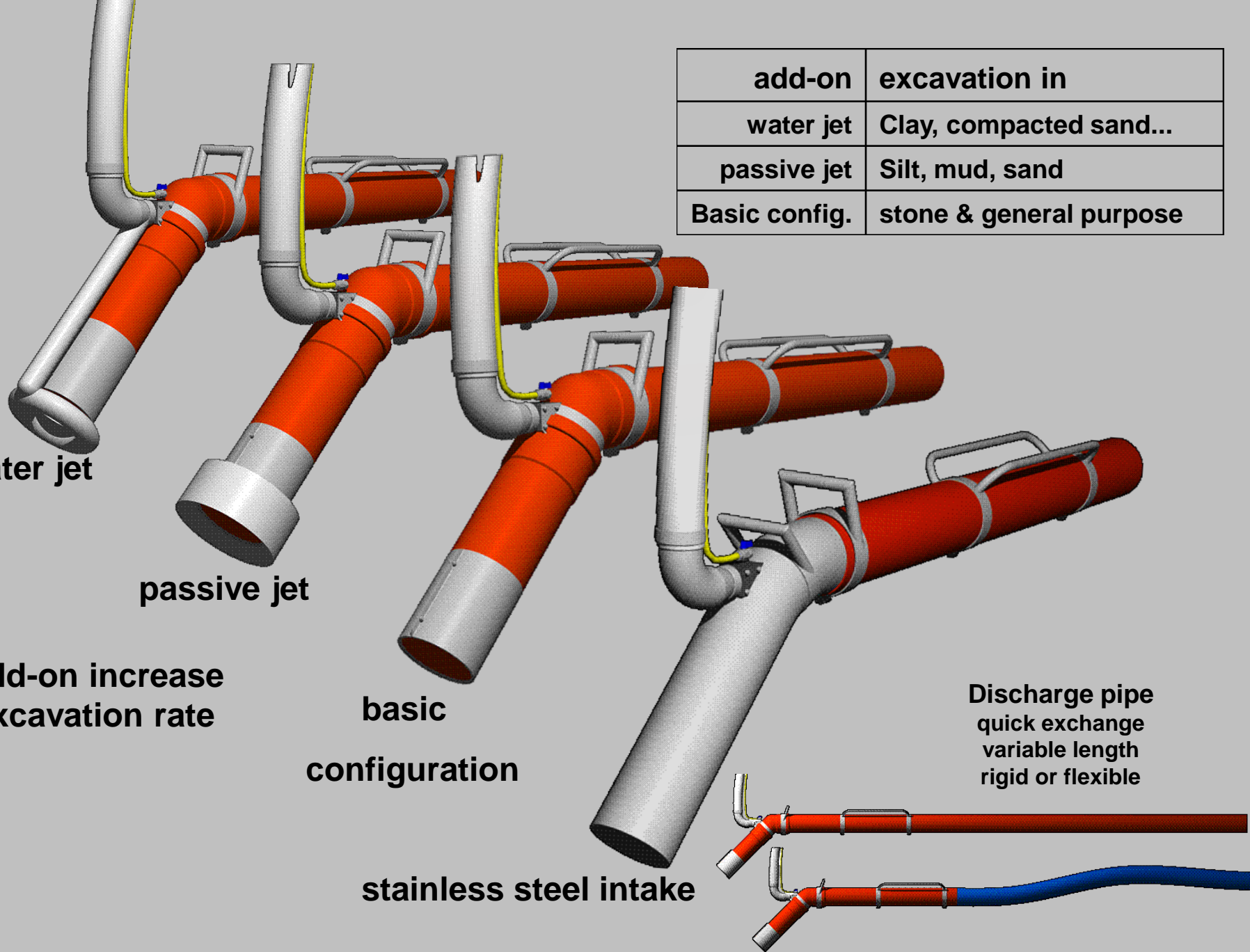
**passive jet**

**Add-on increase excavation rate**

**basic configuration**

**stainless steel intake**

**Discharge pipe quick exchange variable length rigid or flexible**



# Specifications

## Full plastic body

nom dia	max solid	length	weight in air	weight in water
mm / inch	mm / inch	intake / discharge	kg / lbs	kg / lbs
125 / 5	115 / 4,52	adjustable	8,4 / 18,4	3,2 / 7,07
160 / 6	148 / 5,83	adjustable	10,1 / 22,3	3,7 / 8,2
200 / 8	188 / 7,4	adjustable	14,9 / 32,9	5 / 11,02

**Note:** Weight calculated for: 0,6 m (2 ft) intake / 2 m (6,6 ft) discharge

## Stainless intake & elbow / plastic discharge

nom dia	max solid	length	weight in air	weight in water
mm / inch	mm / inch	intake / discharge	kg / lbs	kg / lbs
160 / 6	149 / 5,87	Adjustable	13,8 / 30,4	8,1 / 17,9

**Note:** Weight calculated for: 0,6 m (2 ft) intake / 2 m (6,6 ft) discharge

Other water dredge & water pumps sizes on request

## Water pump

power HP	3,5	4,8	10,7
weight kg / lbs	24 / 53	35 / 77	50 / 110
performance at water dredge nozzle			
reaction kp / lb	12,2 / 27,3	19,4 / 42,7	24,3 / 53,7
power HP	1,7	2,35	5,75
dredge dia. mm	125 / 160	125 / 160 / 200	160 / 200 +



[more\\_ing@yahoo.com](mailto:more_ing@yahoo.com)

<https://www.more-ing.hr/>